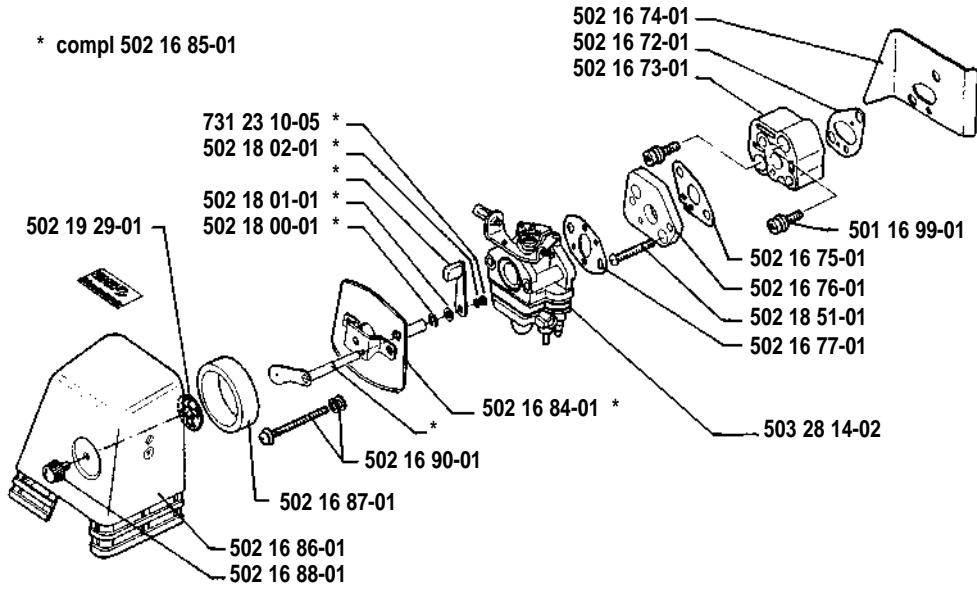
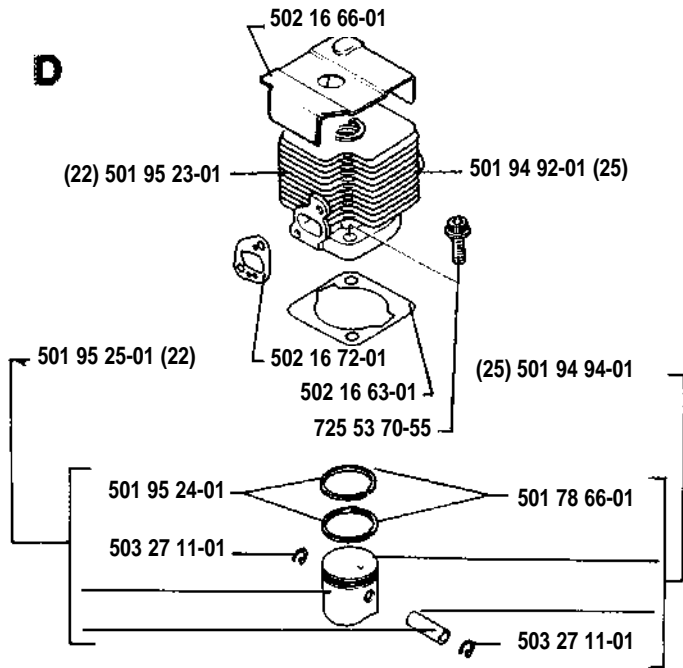


C

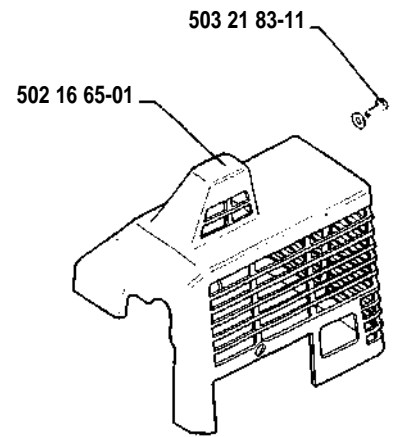
* compl 502 16 85-01



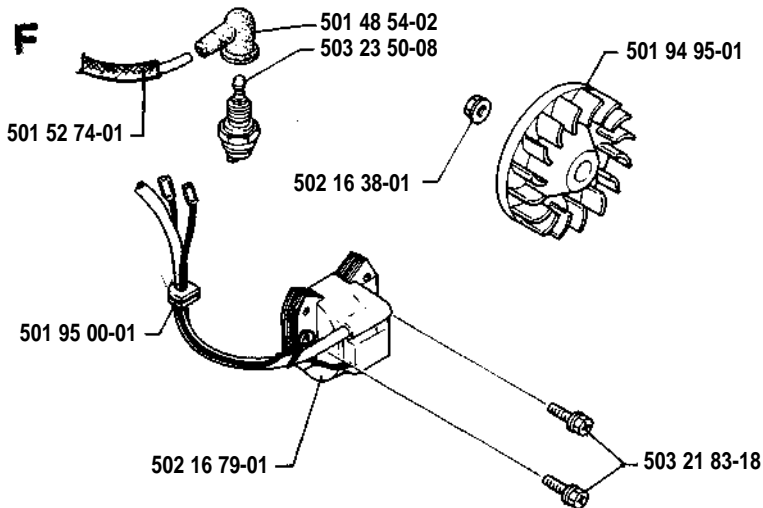
D



E

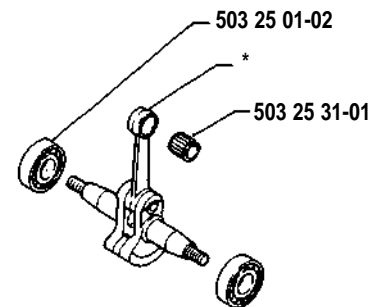


F

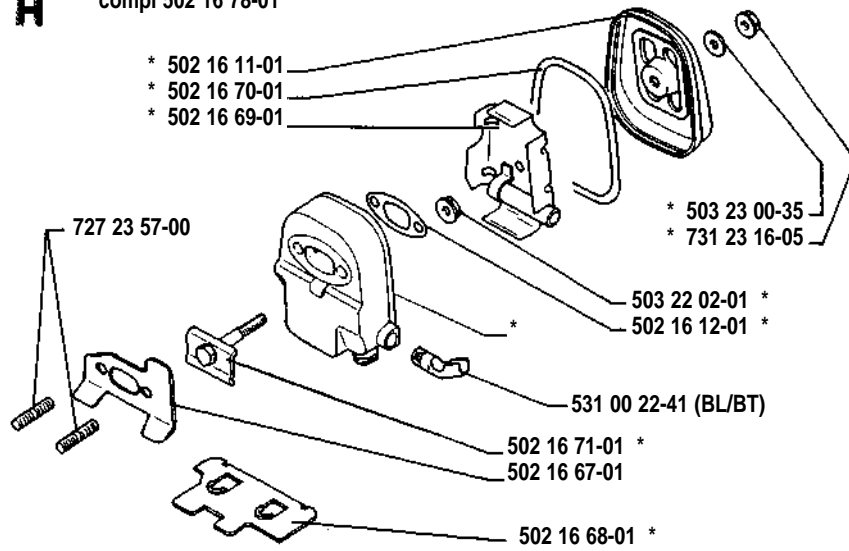


G

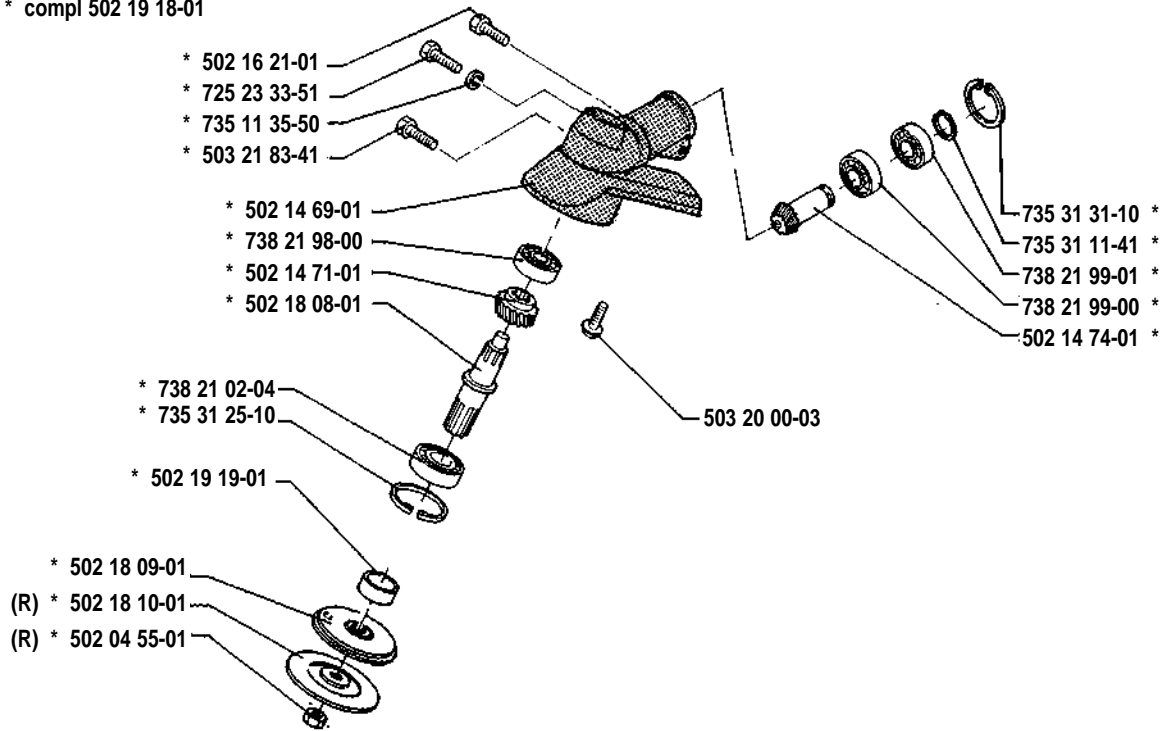
* compl 501 94 96-01



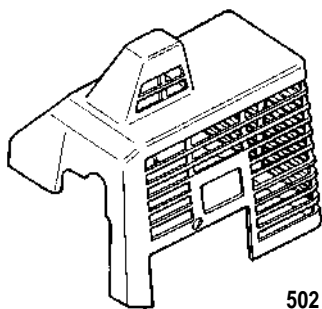
H * compl 502 16 78-01



J * compl 502 19 18-01



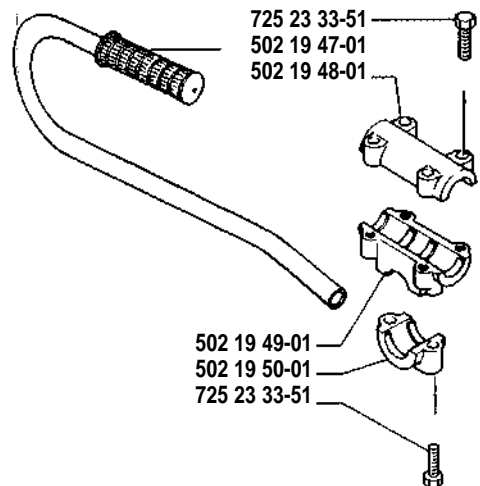
P



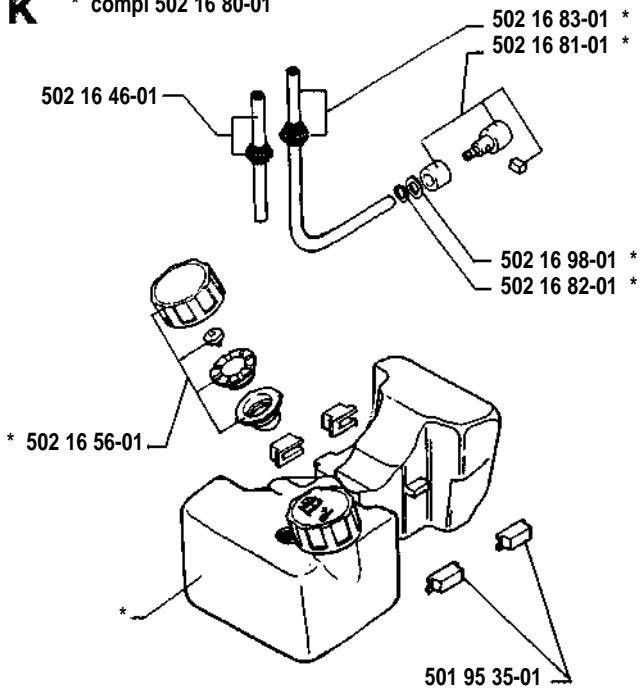
502 16 91-01

SA

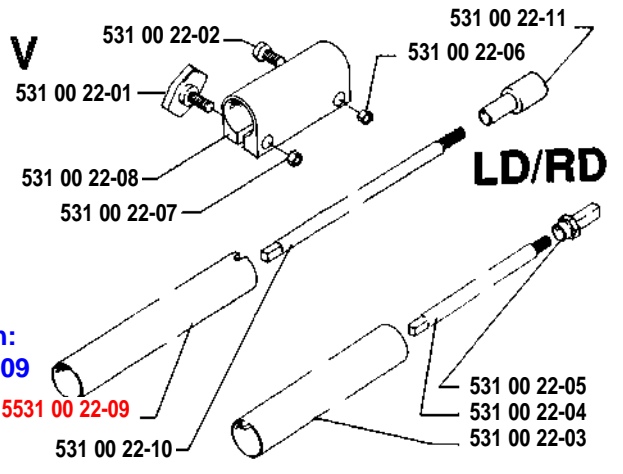
S



K * compl 502 16 80-01



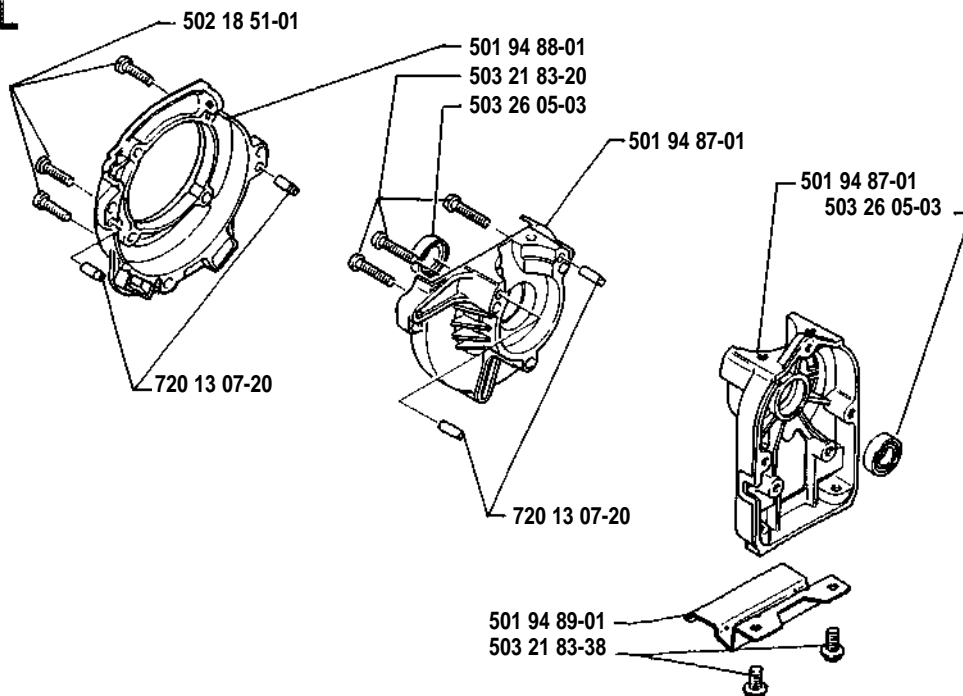
V



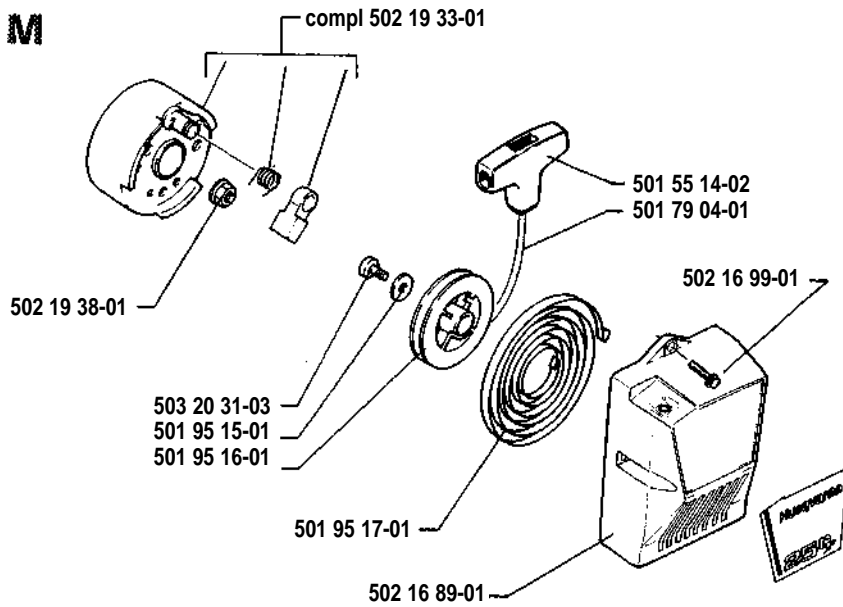
Correction:
531 00 22-09

531 00 22-09

L

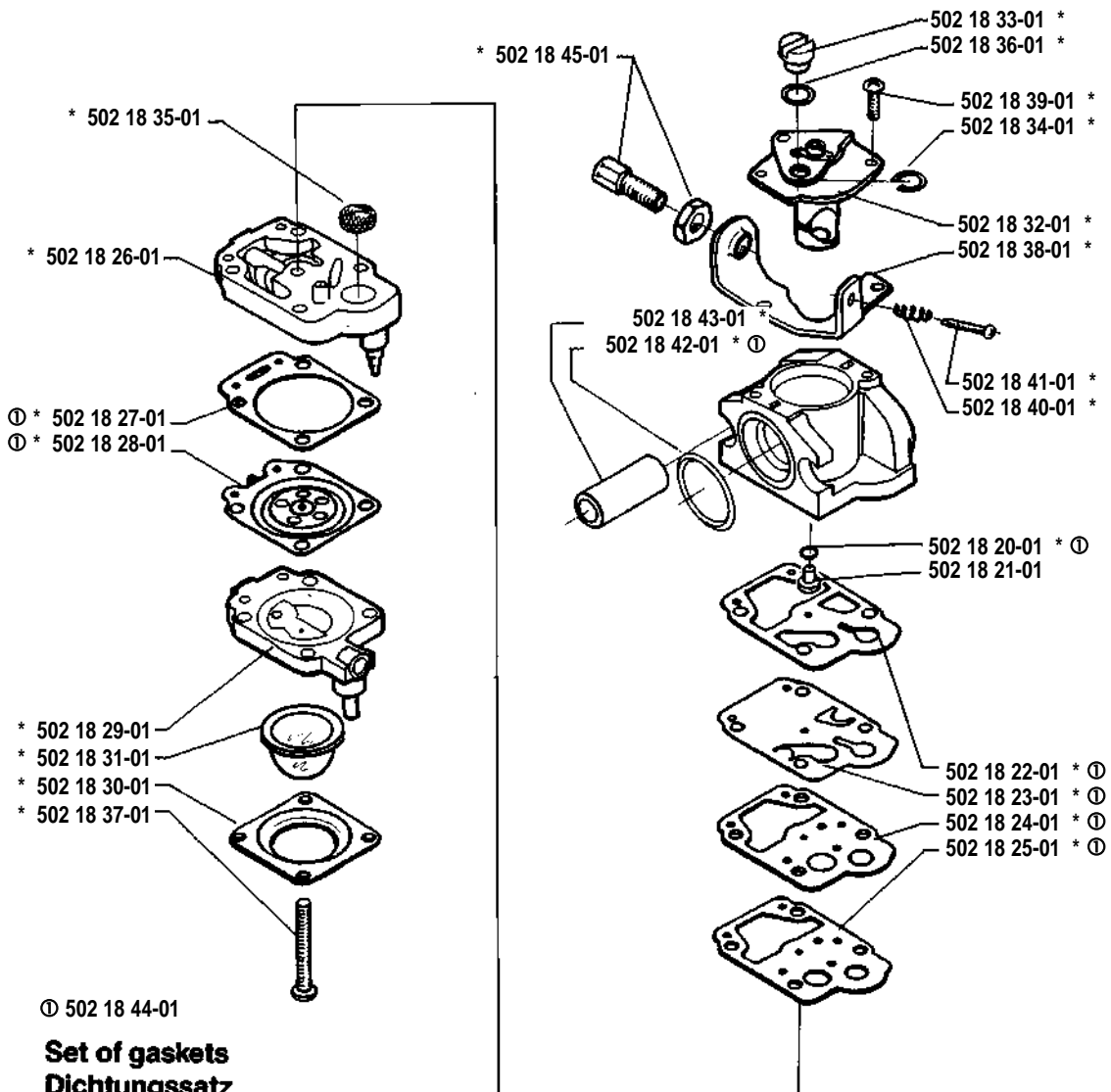


M



N * compl 503 28 14-02

Walbro WY 55

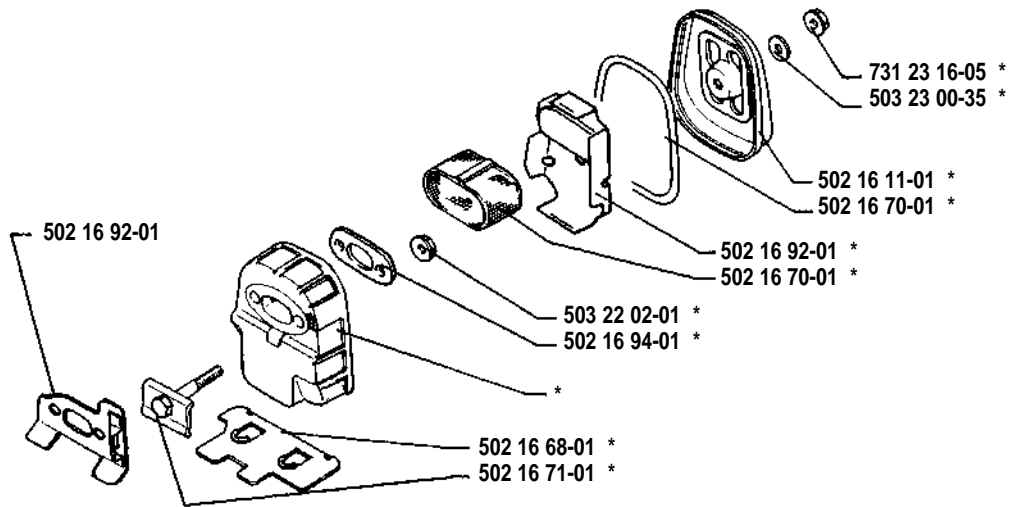


⓪ 502 18 44-01

Set of gaskets
Dichtungssatz
Jeu de joints
Juego de juntas
Packningssats

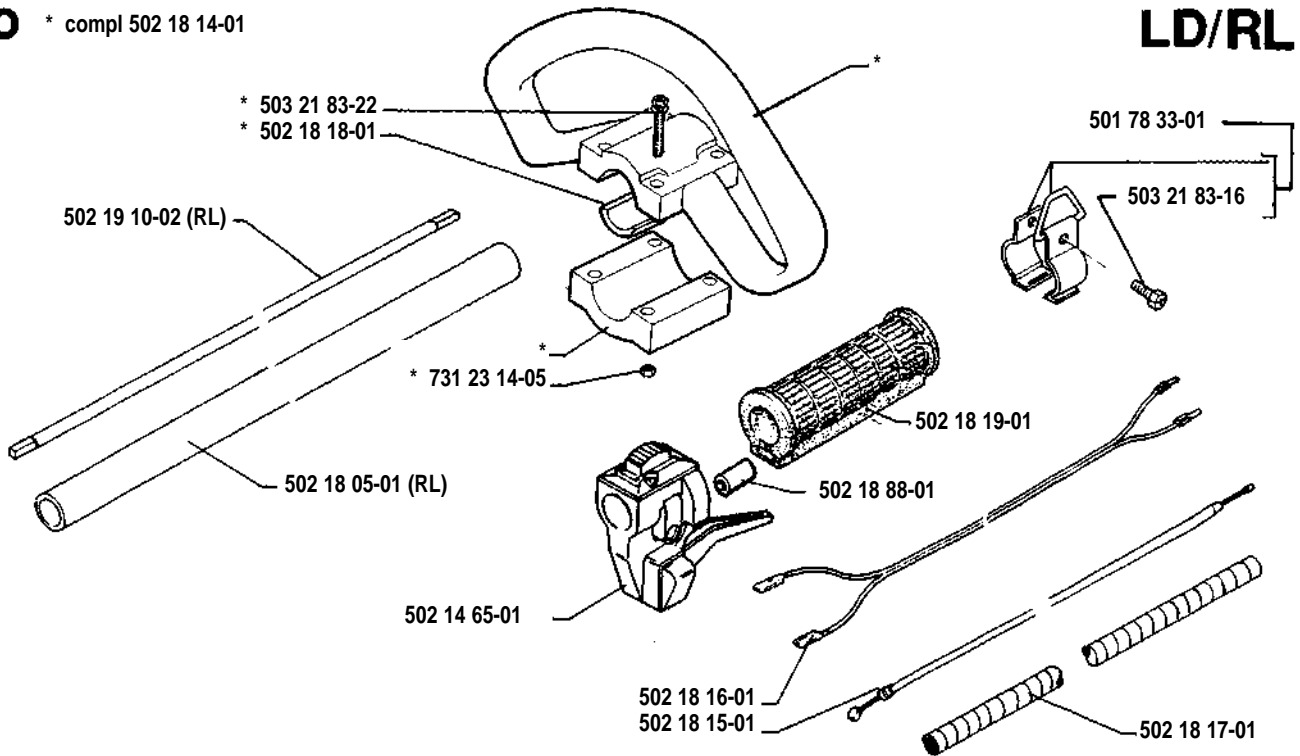
R * compl 502 16 93-01

SA (Spark arrestor)

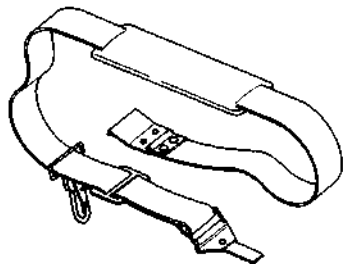


O * compl 502 18 14-01

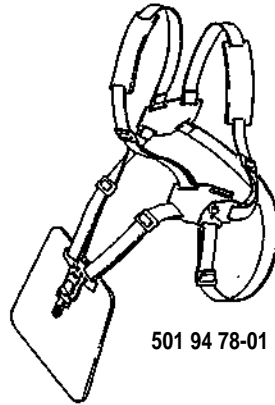
LD/RL



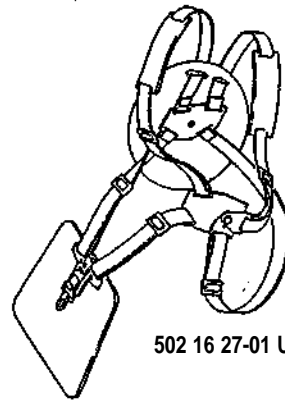
**Accessoires
Zubehöre
Accessoires
Accesorios
Tillbehör**



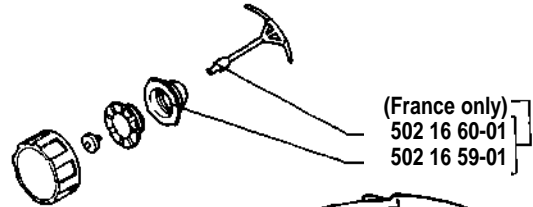
501 78 40-01



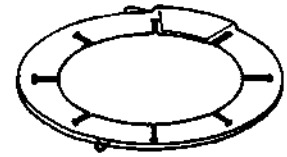
501 94 78-01



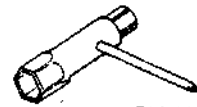
502 16 27-01 USA



(France only)
502 16 60-01
502 16 59-01



502 18 13-01



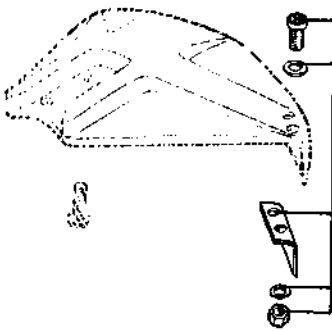
501 69 17-01



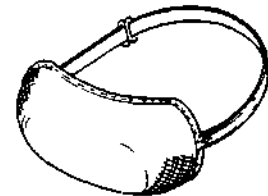
501 31 40-01



502 02 61-01



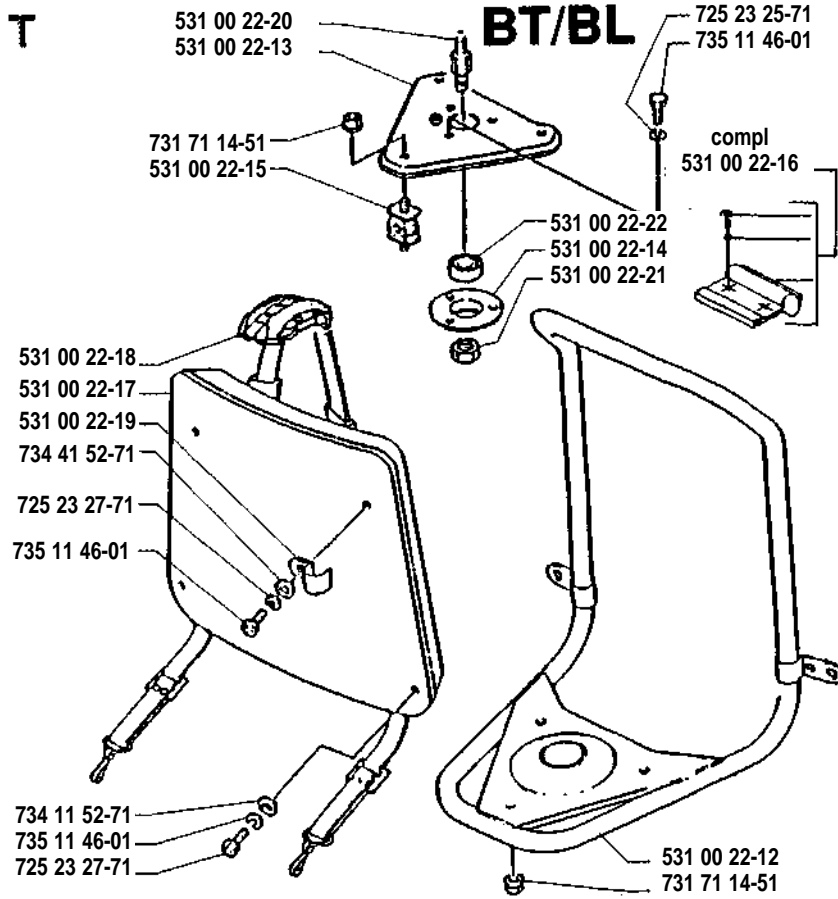
501 92 77-01



501 95 49-01

T

BT/BL



U

BT/BL

* compl 531 00 22-23
** compl 531 00 22-29

